

## DATA SHEET

## 25lb Load Cell Kit



\*100g weight in photo not included

The whole kit includes 12kg / 25lb Load Cell with bracket, USB scale PCB module with USB cable, LCD display module, and weight display PC software. Resolution is 0.1oz or 3grams.

### USB PC Program

The USB PC Program displays the weight reading from the Load Cell. Has buttons for Tare (button on the right), Switch Weight display to AD count, Switch Weight Display to grams, Switch Display to lb/oz, Copy Weight to clipboard, and Calibration. The weight reading in the PC Program also updates automatically when switching weight display to AD count, grams, or lb/oz via the LCD module. Calibration Point is 1, 2, 3, or 4 with calibration offset (grams) of 100, 500, 1000, 2000, 3000, 4000, 5000, or 10000. After successful payment, the USB PC Program will be sent via email during China business hours. On the USB PC Program's first run it will show the software's serial number. Kindly email us back the serial number so that we can send you the registration code to continue using the software.

Calibration instructions for 25lb load cell kit (Calibration weights must be used):

1. Select how many calibration points do you like to use (1, 2, 3, 4).
2. Select the offset (100, 500, 1000, 2000, 3000, 4000, 5000, 10000 grams).
3. Click the calibrate Button. A message will appear then just click OK. The Load Cell kit's LCD will show the first calibration offset (grams)
4. Please put the needed weight then wait for the next calibration offset that will show in the LCD.
5. After the last calibration point, the PC Program will show the weight from the load cell kit. Calibration is finished.

example:

Point: 2

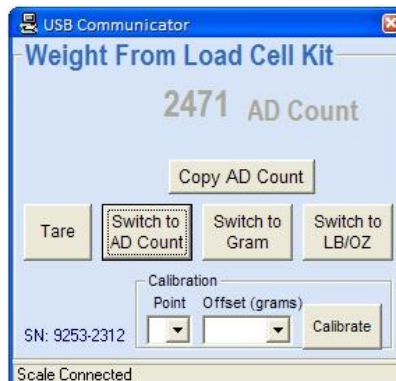
Offset: 1000

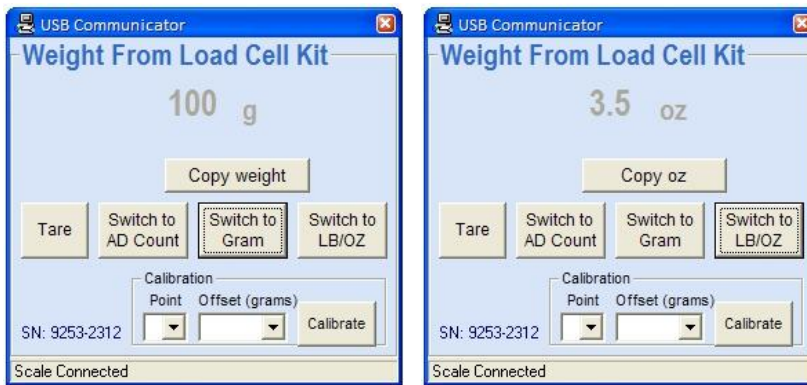
First Weight

1000 grams

Second Weight

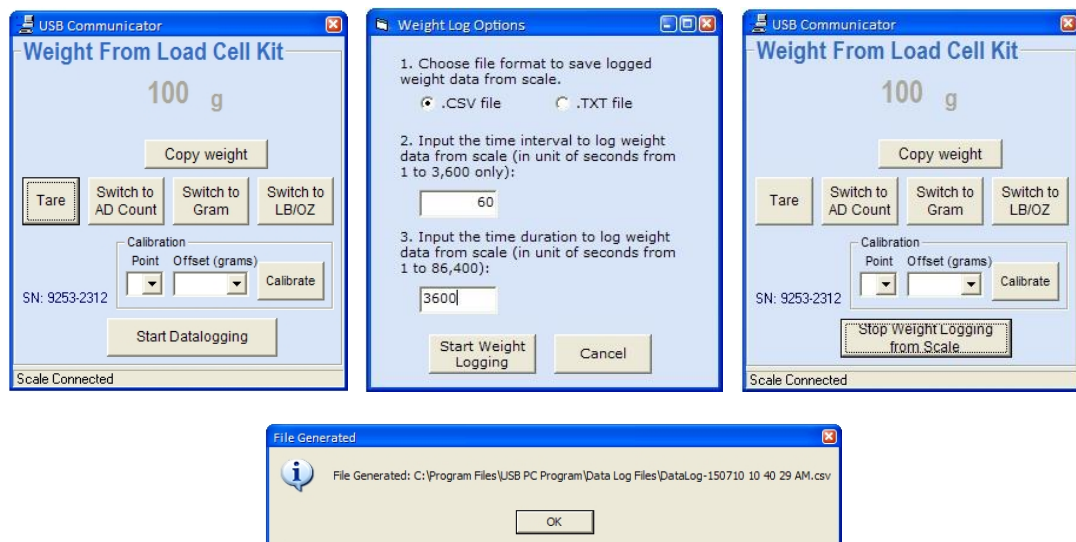
2000 grams





## USB PC Program with Data Logger (Optional)

Optional data logger software is also available. Data logging interval is between 1 to 3600 seconds and logging duration is between 1 to 86400 seconds. Output file is CSV or Text file.



## LCD Module Specifications

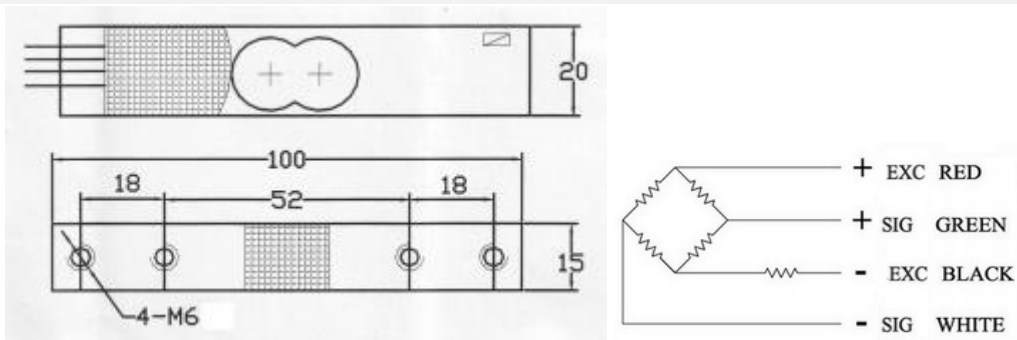
LCD module has buttons for Tare (button on the right), Switch Weight display to AD count (top most button in the left), Switch Weight Display to kg (middle button in the left), Switch Display to lb/oz (bottom button in the left)

Display Format	16 characters (W) x 2 lines (H)
General Dimensions	58.0 mm (W) x 23.70 mm (H) x 2.7 mm (T)
Character Size	4.76 mm (W) x 11.94 mm (H)
Viewing Area	48.0 mm (W) x 12.0 mm (H)
Display Type	Positive
LC Fluid	STN Yellow-Green
Backlight LED	Blue
Polarizer Mode	Transflective
Viewing Angle	6 o'clock
Viewing Mode	Positive/Transflective
Controller	S6A0069 or Equivalent
Temperature Range	0°C to 50°C (Operating); -10°C to 60°C (Storage)

## Load Cell Specifications

Capacity	12kg / 25lb
Outline Size	15 x 20 x 100mm
Rated Output	1.0mv/V $\pm$ 20%
Zero Balance	$\pm$ 0.1000mv/V
Non-Linearity	$\pm$ 0.05%R.O.
Hysteresis, Non-Repeatability	$\pm$ 0.05%R.O.
Creep (2 minutes)	$\pm$ 0.05%R.O./2Min
Temperature Compensated For Output	$\pm$ 0.05%R.O./10°C
Temperature Compensated For Zero	$\pm$ 2%R.O./10°C
Input Resistance	1130 $\Omega$ $\pm$ 20
Output Resistance	1000 $\Omega$ $\pm$ 10
Safe Overload	150% R.C.
Insulation Resistance	$\geq$ 2000M $\Omega$
Temperature Compensated	-10 to +40
Operating Temperature Range	-20 to +60°C
Excitation, recommended	$\leq$ 6VDC
Cable Length	42cm ( $\Phi$ 0.85)

## Load Cell Outline Dimensions (mm)



## Calibration Weights (Optional Accessory)



The weight set has 25 weights of F1 quality. It is safely held in a fine box and includes an item to handle the small weights. Also available in M1 quality which is less expensive.

## Contents

<b>WEIGHT (g)</b>	<b>CALIBRATION DATA (mg dev from standard)</b>	<b>WEIGHT (mg)</b>	<b>CALIBRATION DATA (mg deviation from standard)</b>
1000	1.0	500	-0.01
500	0.3	200	0.03
200	-0.1	.200	0.03
.200	0.2	100	0.03
100	0.3	50	0.01
50	-0.1	20	0.01
20	-0.01	.20	1.01
.20	0.01	10	0.02
10	0.04	5	0.00
5	0.06	2	0.00
2	0.02	.2	0.00
.2	-0.02	1	0.01
1	0.02		